

What makes WorkshopData the leading technical data source? Technical information for Trucks on a completely new level.

FEATURES

WorkshopData™

NEW Complete electronic circuit diagrams for: Engine Management, ABS and Stability control, Electronically controlled air suspension (ECAS) ✓

NEW Manufacturer: Dennis Eagle ✓

NEW Lifting points for Trucks

Locations of parts on the Electronic controlled air suspension (ECAS) ✓

Location of the Fleet Management System (FMS) connector ✓

Grounding points on the chassis ✓

Valve clearance: check/adjustment ✓

Injector: Removal/installation/setting ✓

Cylinder head: removal/installation ✓

Turbocharger: removal/installation ✓

Grease points on chassis ✓

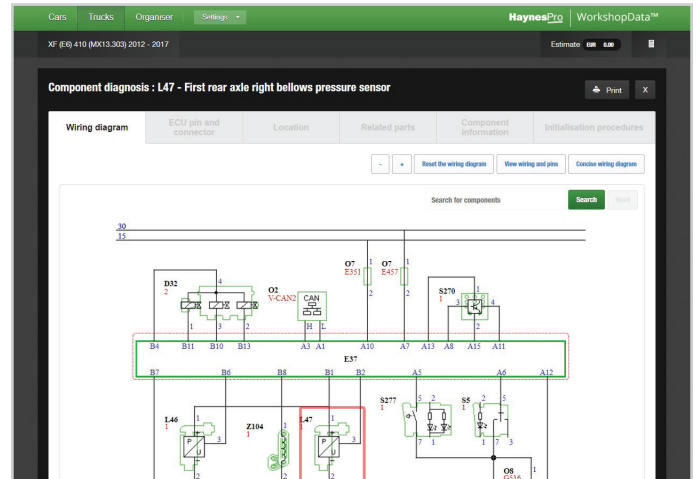
SmartPack: OE Technical Service Bulletins and Recall data ✓

Automatic and Semiautomatic Transmission: Fluid level check, drain and refill ✓

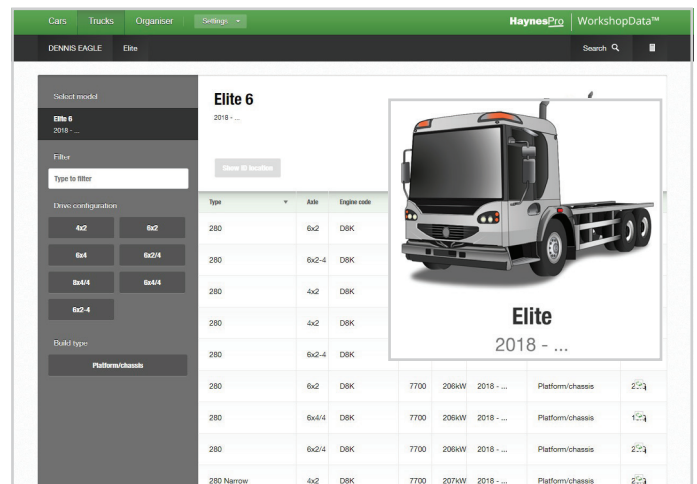
Tightening torques in explosion view ✓

THESE ARE SOME UNIQUE HIGHLIGHTS OF THE LATEST FEATURES THAT HAYNESPRO HAS ADDED TO THE TECHNICAL DATA FOR TRUCKS.

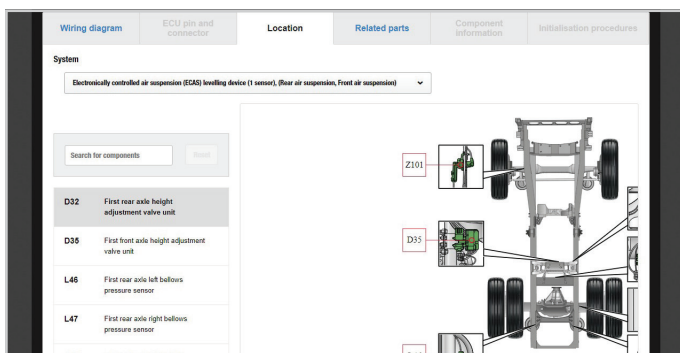
With HaynesPro WorkshopData each workshop can professionally carry out repairs on heavy duty vehicles in accordance with OE specifications.



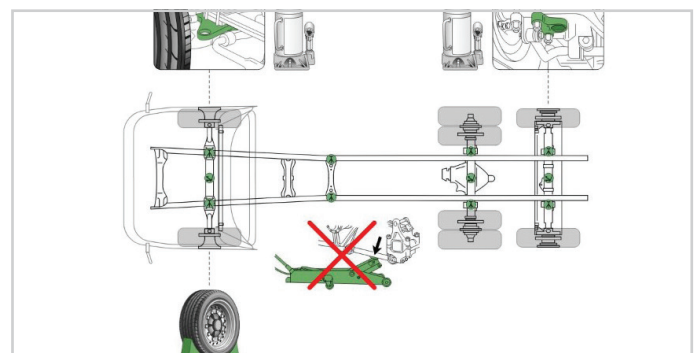
NEW Complete electronic circuit diagrams for: Engine Management, ABS and Stability control, Electronically controlled air suspension (ECAS)



NEW Manufacturer: Dennis Eagle



Locations of parts on the Electronic controlled air suspension (ECAS)



NEW Lifting points for Trucks